

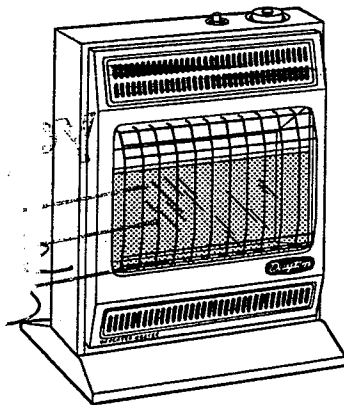


OPERATING INSTRUCTIONS & PARTS MANUAL  
VENT-FREE PROPANE GAS HEATER  
MODELS 2E783D & 3E467C

FORM 5S3075  
03430  
0893/227/VP

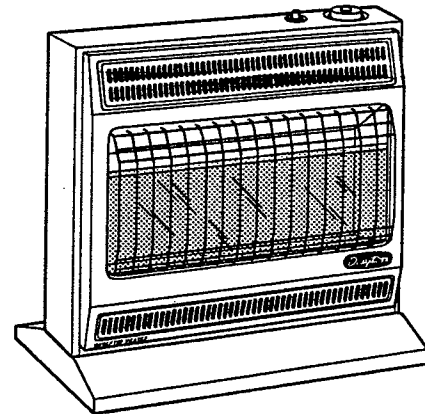
**WARNING: READ INSTRUCTIONS CAREFULLY BEFORE ATTEMPTING TO INSTALL, ASSEMBLE, OPERATE OR SERVICE THE DAYTON VENT-FREE PROPANE GAS HEATER. IMPROPER INSTALLATION, ADJUSTMENT, ALTERATION, SERVICE OR MAINTENANCE COULD RESULT IN PERSONAL INJURY AND/OR PROPERTY DAMAGE. REFER TO THESE INSTRUCTIONS FOR CORRECT INSTALLATION AND OPERATIONAL PROCEDURES. FOR ASSISTANCE OR ADDITIONAL INFORMATION CONSULT A QUALIFIED INSTALLER, SERVICE AGENCY OR THE GAS SUPPLIER.**

**READ AND SAVE THESE INSTRUCTIONS**



MODEL 2E783D

Both Models  
Shown with  
Optional Floor  
Mounting Stand



MODEL 3E467C

**WARNING: If the information in this manual is not followed exactly, a fire or explosion may result causing property damage, personal injury, or loss of life.**

- Do not store or use gasoline or other flammable vapors and liquids in the vicinity of this or any other appliance.
- **WHAT TO DO IF YOU SMELL GAS**
  - Do not try to light any appliance.
  - Do not touch any electrical switch; do not use any phone in your building.
  - Immediately call your gas supplier from a neighbor's phone. Follow the gas supplier's instructions.
  - If you cannot reach your gas supplier, call the fire department.
- Installation and service must be performed by a qualified installer, service agency, or the gas supplier.

**WARNING: Improper installation, adjustment, alteration, service, or maintenance can cause injury or property damage. Refer to this manual for correct installation and operational procedures. For assistance or additional information consult a qualified installer, service agency, or the gas supplier.**



**Specifications**

MODELS	2E783D	3E467C
BTUH (Variable)	9,000/18,000	14,000/28,000
Type Gas	Propane Only	Propane Only
Ignition	Piezo	Piezo
Pressure Regulator Setting	8" W.C.	8" W.C.
Inlet Gas Pressure (Inches of water)	Maximum 14"	14"
	Minimum 11"	11"
Dimensions	Heater 23.5H x 18.5W x 8"D	23.5H x 25.9W x 8"D
	Carton 25.8H x 21.3W x 10.1"D	25.8H x 28.7W x 10.1"D
Weight	Heater 22	30
	Shipping 27	35

**Unpacking**

1. Remove heater from carton.
2. Remove all protective packaging applied to heater for shipment.
3. Check heater for any shipping damage. If heater is damaged, promptly inform dealer where you bought heater.

**Local Codes**

Install and use heater with care. Follow all local codes. In the absence of local codes, use the latest edition of The National Fuel Gas Code ANSI Z223.1 also known as NFPA 54\*.

\*Available from:  
 American National Standards Institute, Inc.  
 1430 Broadway  
 New York, NY 10018

National Fire Protection Association, Inc.  
 Batterymarch Park  
 Quincy, MA 02269

**Installing To Wall**

**I. CHECK GAS TYPE**

Use only propane gas. If your gas supply is not propane, do not install heater. Call dealer where you bought heater for proper type heater.

**II. INSTALLATION ITEMS**

Before installing heater, make sure you have the items listed below.

- external regulator (supplied by installer—see page 8)
- piping (check local codes)
- sealant (resistant to propane gas)
- manual shutoff valve \*
- ground joint union
- test gauge connection \* (see Figure 12, page 9)
- sediment trap
- tee joint
- pipe wrench

\* An A.G.A. design certified manual shutoff valve with 1/8" NPT tap is an acceptable alternative to test gauge connection.

**III. LOCATING HEATER**

This heater is designed to be mounted on a wall.

**WARNING**

Maintain the minimum clearances shown in Figure 2 (page 5). If you can, provide greater clearances from floor, ceiling, and joining wall.

**NOTICE**

A qualified service person must install heater. Follow all local codes.

## Cleaning and Maintenance

### **⚠ WARNING**

Turn off heater and let cool before cleaning.

### **⚠ CAUTION**

You must keep control areas, burner, and circulating air passageways of heater clean. Inspect these areas of heater before each use. Have heater inspected yearly by a qualified service person. Heater may need more frequent cleaning due to excessive lint from carpeting, bedding material, etc.

#### ODS/PILOT AND BURNER

- Use a vacuum cleaner, pressurized air, or small, soft bristled brush to clean.

#### CABINET

##### Air Passageways

- Use a vacuum cleaner or pressurized air to clean.

##### Exterior

- Use a soft cloth dampened with a mild soap and water mixture. Wipe the cabinet to remove dust.

## Service Hints

#### When gas pressure is too low

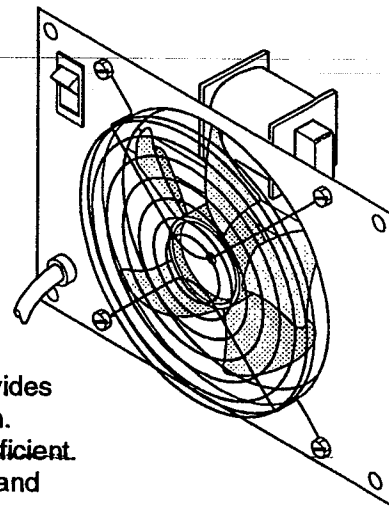
- pilot will not stay lit
- burner will have delayed ignition
- heater will not produce specified heat
- propane gas supply may be low

#### When gas quality is bad

- pilot will not stay lit
- burner will produce flames and soot
- heater will backfire when lit

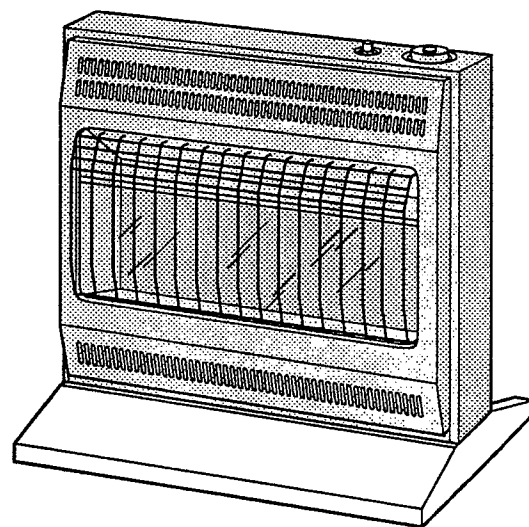
You may feel your gas pressure is too low or gas quality is bad. If so, contact your local propane gas supplier.

## Accessories



#### **Fan Kit - 4E086A**

For both models. Provides better heat distribution. Makes heater more efficient. Complete installation and operating instructions included.

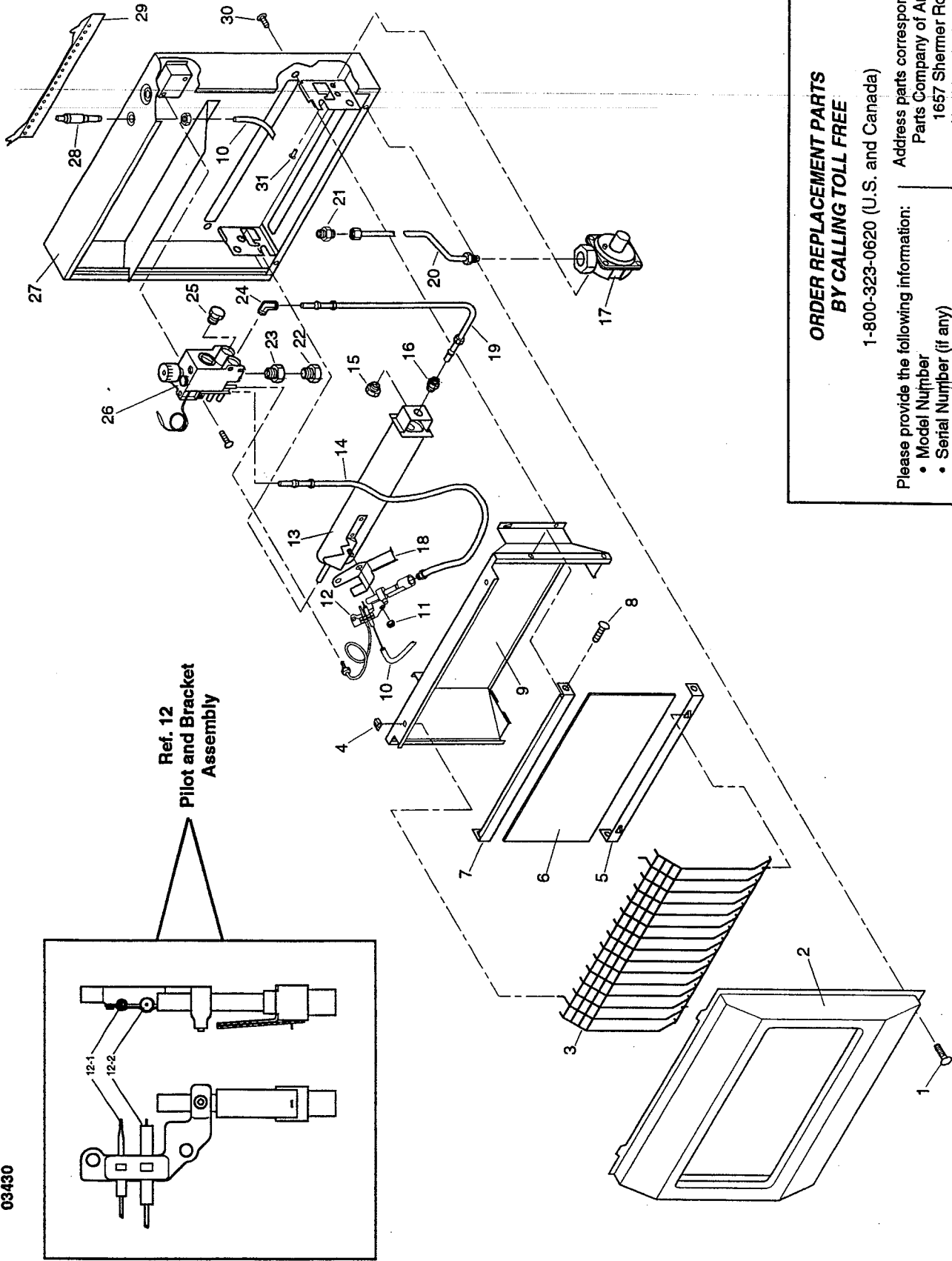


#### **Floor Mounting Stand**

**4E167 - For Model 2E783D**

**4E168 - For Model 3E467C**

For locating heater on the floor, away from a wall. Complete installation instructions included.



**ORDER REPLACEMENT PARTS  
BY CALLING TOLL FREE**

1-800-323-0620 (U.S. and Canada)

Please provide the following information:

- Model Number
- Serial Number (if any)
- Parts Description and Number as shown in Parts List.

Address parts correspondence to:  
Parts Company of America  
1657 Shermer Road  
Northbrook, IL 60062

Figure 21 - Replacement Parts Illustration

## Replacement Parts List for Heater Models 2E783D &amp; 3E467C

REF. NO.	DESCRIPTION	PART NO.	2E783D QTY.	3E467C QTY.	REF. NO.	DESCRIPTION	PART NO.	2E783D QTY.	3E467C QTY.
1	Screw, #10 x 3/8"	098304-01	2	2	16	Injector Holder	098250-01	1	1
2	Front Panel	098742-05	1	--	17	Pressure Regulator	098867-06	1	1
3	Front Panel	098742-06	--	1	18	Pilot Shield	099553-01	1	1
4	Grill Guard	098197-01	1	--	19	3/8" Outlet (Burner) Tubing	098518-01	1	1
5	Grill Guard	098197-02	--	1	20	3/8" Inlet Tubing	098297-03	1	1
6	Clip, Grill Guard	098342-01	2	2	21	3/8" NPT Male Connector	098264-02	1	1
7	Bottom Glass Retainer	098533-01BR	1	--	22	1/8" NPT Plug	098276-01	1	1
8	Bottom Glass Retainer	098533-02BR	--	1	23	3/8" to 1/8" NPT Bushing	098277-01	1	1
9	Glass Panel	098260-01	1	--	24	3/8" NPT Male Elbow	098265-01	1	1
10	Glass Panel	098260-02	--	1	25	3/8" NPT Plug	098275-01	1	1
11	Top Glass Retainer	098532-01AA	1	--	26	Thermostat Gas Valve	098522-01	1	--
12	Top Glass Retainer	098532-02AA	--	1		Thermostat Gas Valve	098522-04	--	1
12-1	Screw, #10 x 3/8"	M11084-26	4	4	27	Cabinet	098530-01	1	--
12-2	Deflector Unit	098352-01BR	1	--		Cabinet	098531-01	--	1
13	Deflector Unit	098352-02BR	--	1	28	Piezo Ignitor	097159-01	1	1
14	Ignitor Cable	098271-02	1	1	29	Mounting Bracket	099066-01	1	1
15	Nut, M5	098249-01	2	2	30	Screw, #10 x 3/8"	M11084-26	2	2
16	ODS/Pilot	098245-03	1	1	31	Screw, #8 x 3/8"	M11084-38	2	2
17	Thermocouple	098514-01	1	1		Fan Kit	4E086A	1	1
18	Ignitor Electrode	098515-01	1	1	Δ	Floor Mounting Stand	4E167	1	--
19	Burner	099120-02	1	--	Δ	Floor Mounting Stand	4E168	--	1
20	Burner	099126-02	--	1	Δ	Control Position Label	098306-01	1	1
21	3/16" Pilot Tubing	098517-01	1	1	Δ				
22	Injector	098251-01	1	--					
23	Injector	098251-03	--	1					

(Δ) Not Shown

## LIMITED WARRANTY

**DAYTON ONE-YEAR LIMITED WARRANTY.** Vent-free propane gas heaters, Models 2E783D and 3E467C, are warranted by Dayton Electric Mfg. Co. (Dayton) to the original user against defects in workmanship or materials under normal use for one year after date of purchase. Any part which is determined by Dayton to be defective in material or workmanship and returned to an authorized service location, as Dayton designates, shipping costs prepaid, will be, as the exclusive remedy, repaired or replaced at Dayton's option. For limited warranty claim procedures, see PROMPT DISPOSITION below. This limited warranty gives purchasers specific legal rights which vary from state to state.

**LIMITATION OF LIABILITY.** To the extent allowable under applicable law, Dayton's liability for consequential and incidental damages is expressly disclaimed. Dayton's liability in all events is limited to, and shall not exceed, the purchase price paid.

**WARRANTY DISCLAIMER.** Dayton has made a diligent effort to illustrate and describe the products in this literature accurately; however, such illustrations and descriptions are for the sole purpose of identification, and do not express or imply a warranty that the products are merchantable, or fit for a particular purpose, or that the products will necessarily conform to the illustrations or descriptions.

Except as provided below, no warranty or affirmation of fact, expressed or implied, other than as stated in "LIMITED WARRANTY" above is made or authorized by Dayton.

**PRODUCT SUITABILITY.** Many states and localities have codes and regulations governing sales, construction, installation, and/or use of products for certain purposes, which may vary from those in neighboring areas. While Dayton attempts to assure that its products comply with such codes, it cannot guarantee compliance, and cannot be responsible for how the product is installed or used. Before purchase and use of a product, please review the product application, and national and local codes and regulations, and be sure that the product, installation, and use will comply with them.

Certain aspects of disclaimers are not applicable to consumer products; e.g., (a) some states do not allow the exclusion or limitation of incidental or consequential damages, so the above limitation or exclusion may not apply to you; (b) also, some states do not allow limitations on how long an implied warranty lasts, consequently the above limitation may not apply to you; and (c) by law, during the period of this Limited Warranty, any implied warranties of merchantability or fitness for a particular purpose applicable to consumer products purchased by consumers, may not be excluded or otherwise disclaimed.

**PROMPT DISPOSITION.** Dayton will make a good faith effort for prompt correction or other adjustment with respect to any product which proves to be defective within limited warranty. For any product believed to be defective within limited warranty, first write or call dealer from whom product was purchased. Dealer will give additional directions. If unable to resolve satisfactorily, write to Dayton at address below, giving dealer's name, address, date and number of dealer's invoice, and describing the nature of the defect. Title and risk of loss pass to buyer on delivery to common carrier. If product was damaged in transit to you, file claim with carrier.

Manufactured for Dayton Electric Mfg. Co., 5959 W. Howard St., Chicago, IL 60648